

NAME OF DECEASED: R.T.

DOB: —
DOD: 02-18-1911

GRAVE PLOT #: 95

CONDITION PLOT: Poor

MARKER/HEADSTONE:

Red sandstone. The red sandstone cross is hand hewn and broken in many pieces. It was pieced together to read. It was overgrown with bear grass. Although the base is still firmly embedded in the ground there is no sign of a grave. The broken top part is wired to the tilted base.

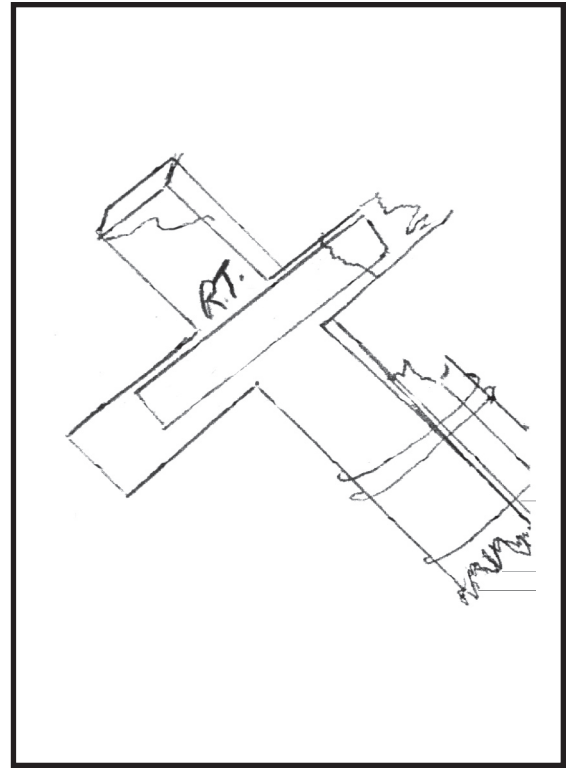
2008 - photo documentation for the archives project found only pieces of what appears to be the red sandstone cross.

INSCRIPTION:

R.T.
Fallecio El Dia 18 de Febrero de 1911
NM

HISTORY OF DECEASED:

INFORMATION—LIVING RELATIVES:



Drawing of Marker by RBH/9-94

REF BOOK# 2

MOGOLLON
CEMETERY
ARCHIVES

RT_95

NAME OF DECEASED: R.T.

DOB: —

DOD: 02-18-1911

GRAVE PLOT #: 95

GRAVE SITE of Deceased



View 1 — Main (front)